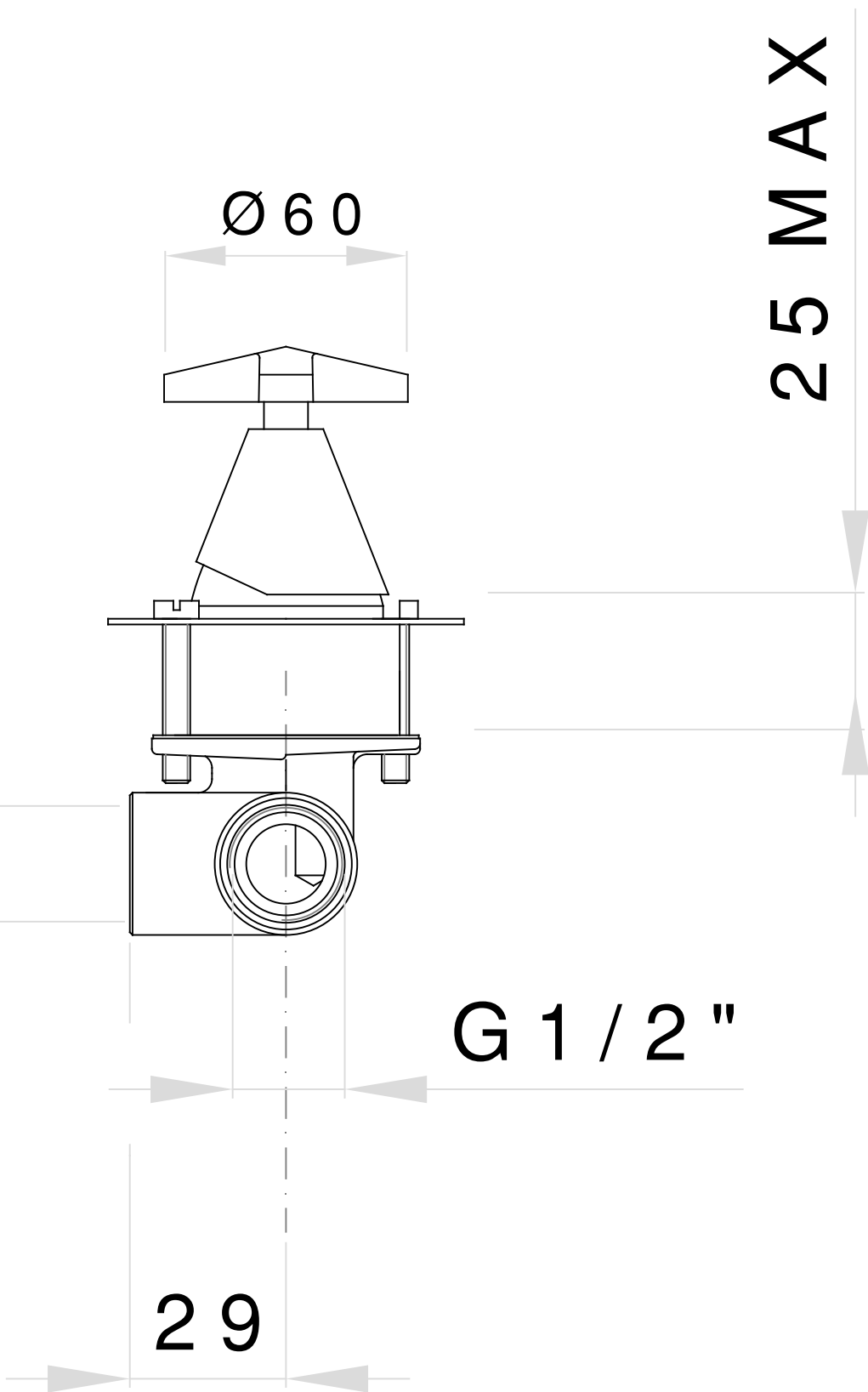


G 1 / 2 "



Ø 60

25 MAX

29

G 1 / 2 "