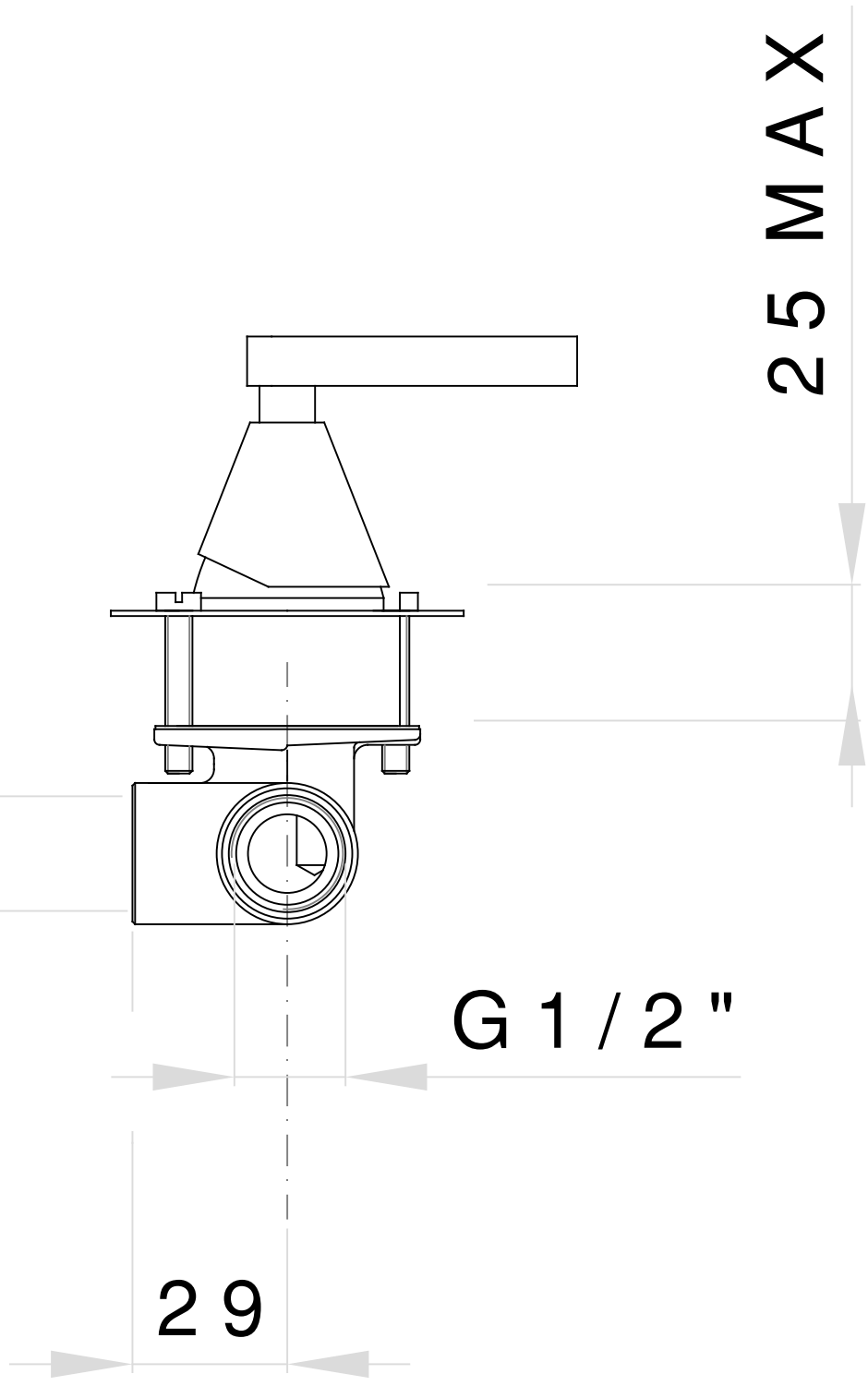


G 1 / 2 "



29

G 1 / 2 "

25 MAX